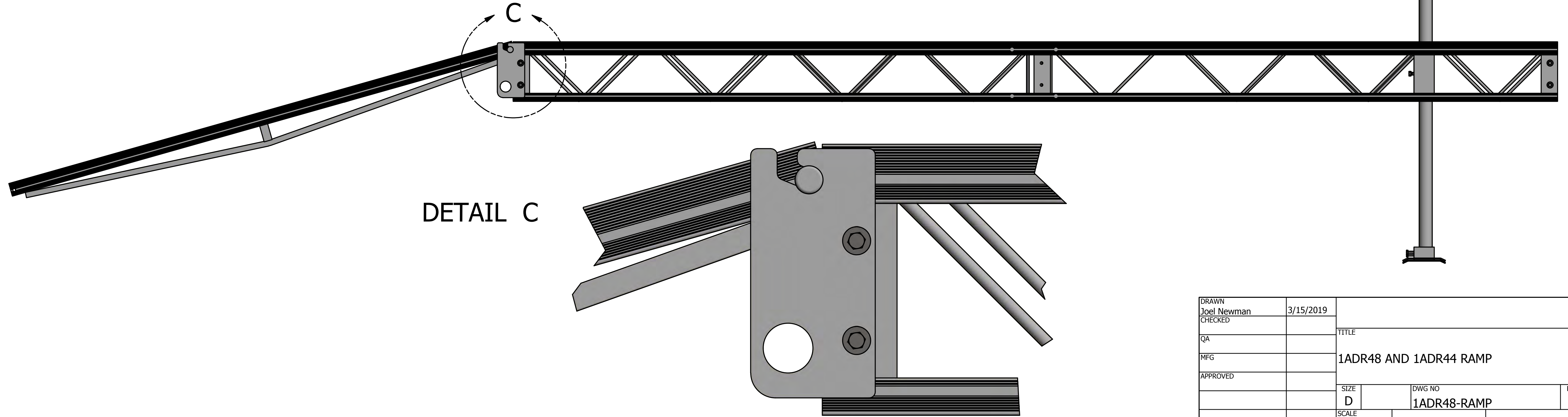


DETAIL A

DETAIL B

PARTS LIST			
ITEM	QTY	PART NUMBER	DESCRIPTION
1	2	3A5000190S010	RAMP PLATE
2	12	H4000ZFW	7/16" FLAT WASHER
3	4	H4415NCB	7/16" X 1 1/2" HEX BOLT
4	4	H4400NCN	7/16" NUT

BOLT THE THE RAMP PLATE TO THE SIDE OF THE DOCK, MAKE SURE TO PUT 1- 7/16" WASHER BETWEEN THE RAMP PLATE AND CORNER DOCK ANGLE IRON.(DETAIL A & B) TIGHTEN THE BOLTS AND SLIDE THE RAMP INTO THE SLOTS OF THE RAMP PLATE.(DETAIL C)



DETAIL C

DRAWN Joel Newman	3/15/2019	TITLE	
CHECKED		1ADR48 AND 1ADR44 RAMP	
QA		SIZE	DWG NO
MFG		D	1ADR48-RAMP
APPROVED		SCALE	REV