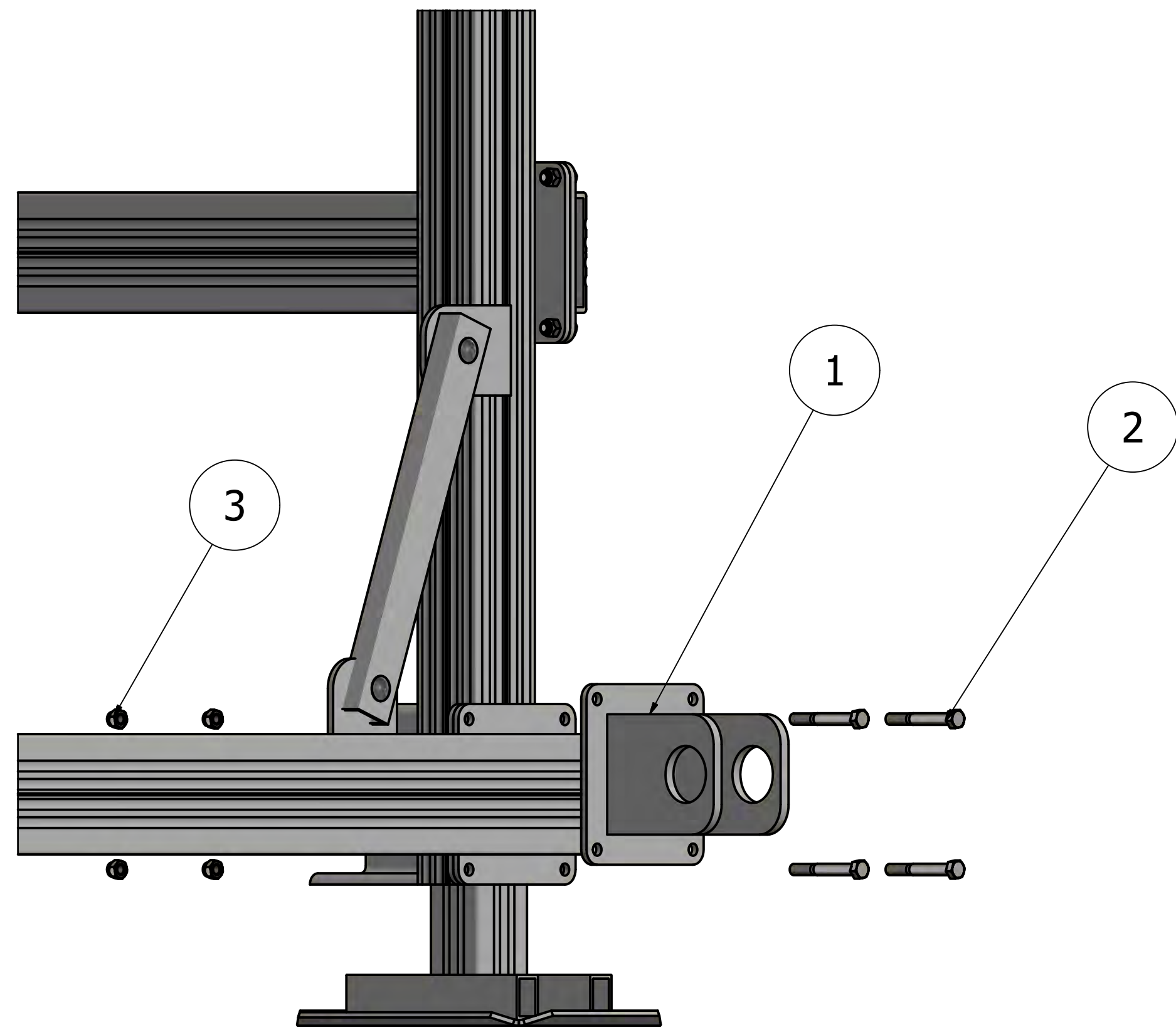
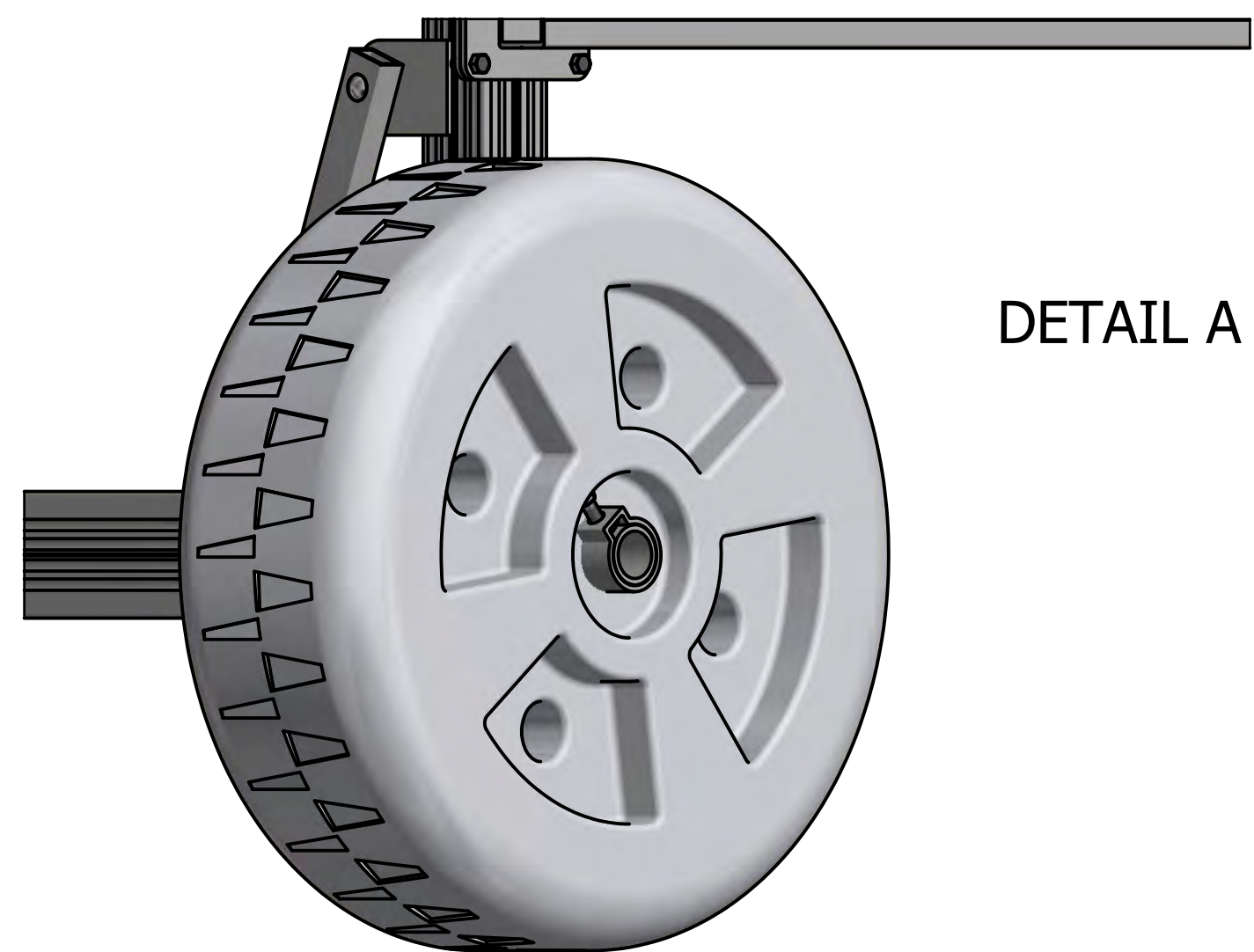


8 | 7 | 6 | 5 | 4 | 3 | 2 | 1

PARTS LIST			
ITEM	QTY	PART NUMBER	DESCRIPTION
1	1	2BLWHEELKIT	WHEEL KIT BRACKET
2	4	H3830NCB	3/8" X 3" HEX BOLT
3	4	H3800NCLN	3/8" LOCKING NUT

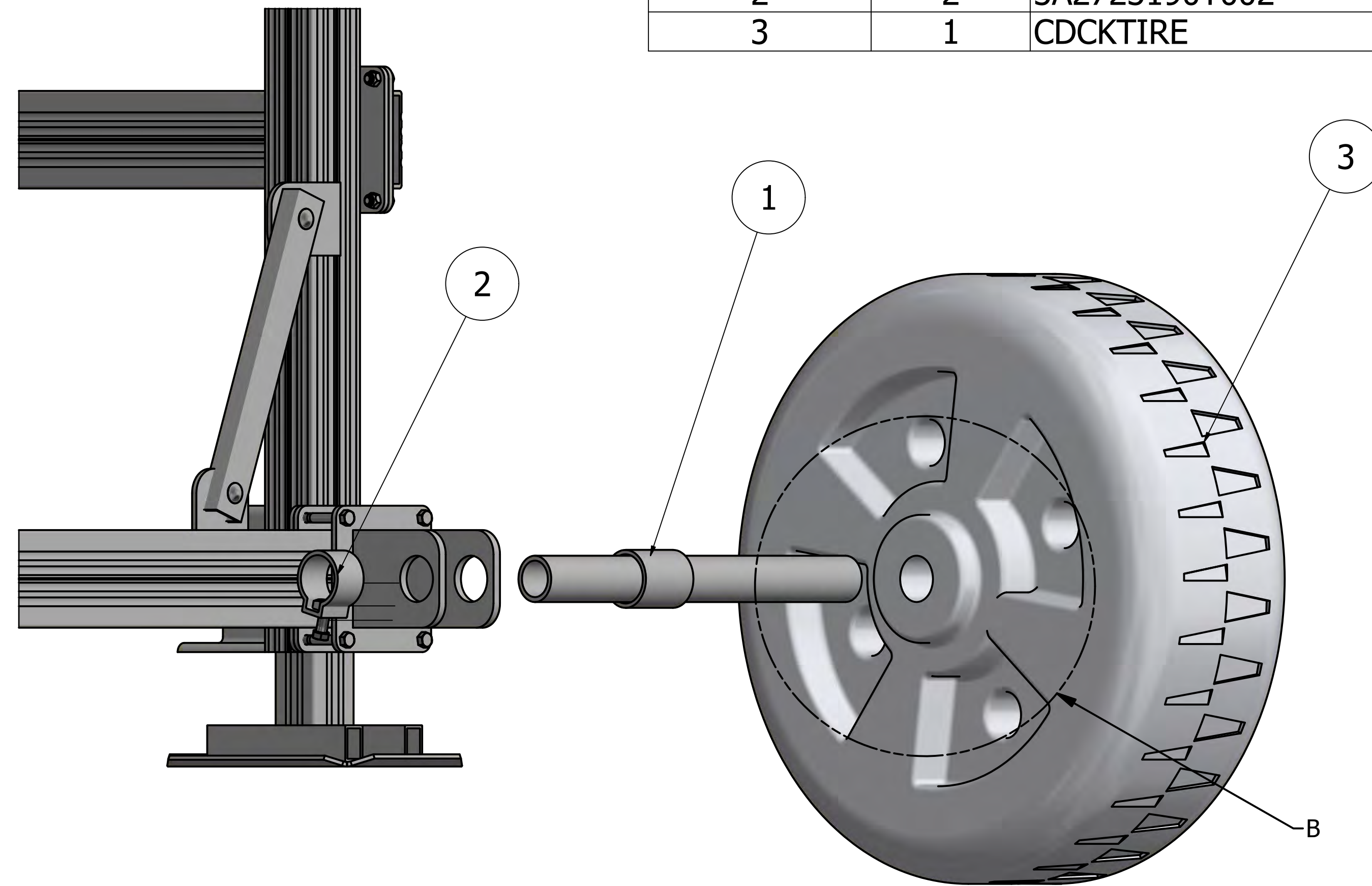


(STEP 1) REMOVE EXISTING 3/8" X 1" HEX BOLTS AND NUTS FROM CROSS MEMBER. ALIGN WHEEL KIT BRACKET AND INSERT THE 3/8"X 3" BOLTS THE WHEEL BRACKET AND THE CROSS MEMBER PLATES. INSTALL NUT AND TIGHTEN.

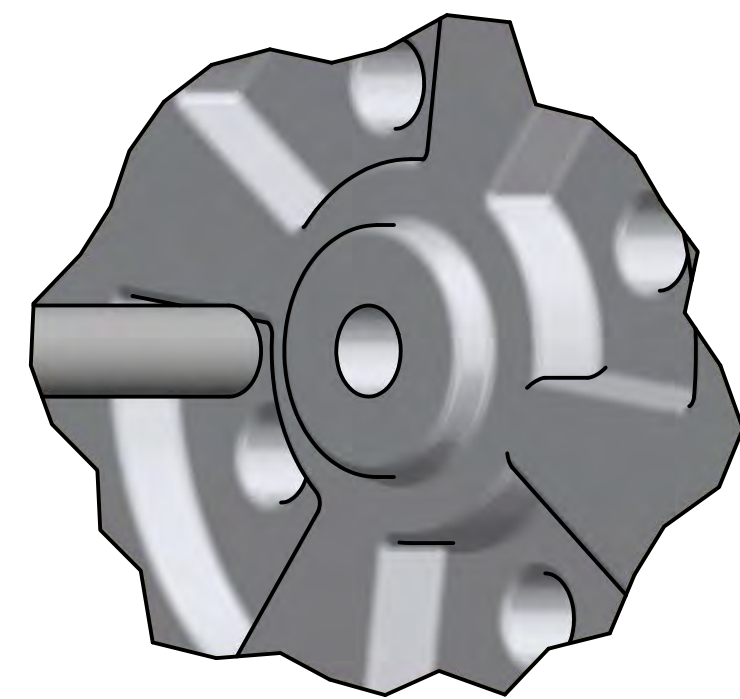


DETAIL A

PARTS LIST			
ITEM	QTY	PART NUMBER	DESCRIPTION
1	1	3A150040P016	1 1/2" RD AXLE-18"
2	2	3A2723190T002	RETAINING RING
3	1	CDCKTIRE	DOCK TIRE



(STEP 2) SLIDE 18" AXLE THROUGH WHEEL BRACKET, INSTALL THE RETAINING RING AND TIGHTEN. SLIDE DOCK TIRE ONTO AXLE FOLLOWED BY THE RETAINING (SEE DETAIL A) AND TIGHTEN. NOTE THE ORINTATION OF THE DOCK TIRE.(DETAIL B)



DETAIL B  
SCALE 1/4

DRAWN	4/27/2018	TITLE	
CHECKED		1BLWHEELKIT -COME AS A SET-PARTS	
QA		REQUIRED ARE X'S 2	
MFG		SIZE	PRT NO
APPROVED		D	BOAT LIFT WHEEL KIT
		SCALE	1 / 4
			SHEET 1 OF 1

8 | 7 | 6 | 5 | 4 | 4 | 3 | 2 | 1